

RC82 Serials Ultrasonic Heat(cooling) Meter

RC82 Series ultrasonic heating (cooling, heating-cooling) meters are used for energy measurement of heating or chilled water. They are available in DN40-1000 and have an electronic energy calculator with separate register for heating and cooling energy. They are fitted with an M-Bus interface for integration into M-Bus networks.

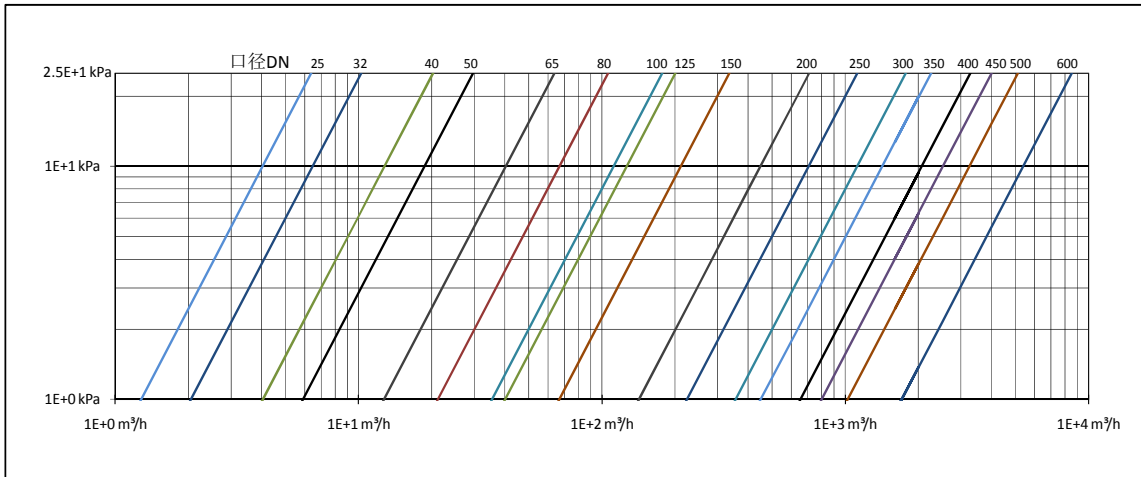


Features

1. Calculator can be hung at the body or installed separately. Distance apart could be up to 10 meter.
2. Internal 3.6V high capacity lithium battery, external AC220V or DC24V optional
3. Unique design for fluid structure to improve measuring accuracy and stability and reduce the requirement for straight piping during installation to up 5 and down 0.
4. IP68 grade
5. Can be mounted in flow pipe or in return pipe, and can be mounted in horizontal or vertical installation for different customer requirements.
6. Complies CJ/188, GB/26831,MODBUS RTU and EN13757 communication protocol
7. Support optical,RS485, wire and wireless M-Bus, short message, GPRS, pulse output interfaces, convenient for user to manage data in different manners.
8. 4~20 mA output optional.
9. Complies with AGFW NOWA protocol

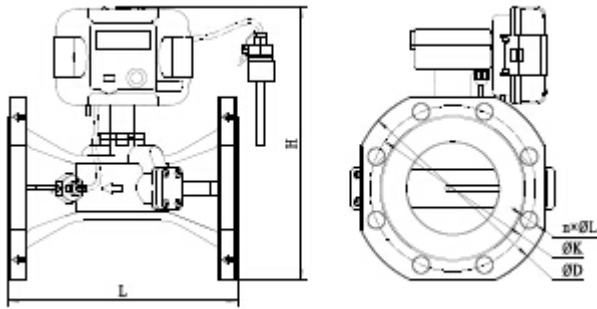
Key Technology Points

- Up 5 down 0 straight piping installation
- More than 10 year shelf life
- Wireless transmission
- Pressure Loss Curve

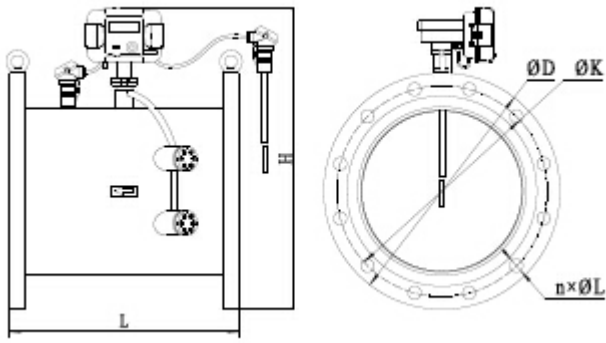


Dimension

Nominal Diameter DN (mm)	50	65	80	100
L	200/270	200/300	225/300	250/360
D	165	185	200	220
H	247	258	279	299
K	125	145	160	180
n×ΦL	4×φ18	4×φ18	8×φ18	8×φ18



Nominal Diameter DN (mm)	125	150	200	250	300	350	400	450	500	600	700	800	900	1000
L	350	350	350	400	450	500	550	600	650	750	875	1000	1230	1300
D	250	285	340	405	460	520	580	640	715	840	910	1025	1125	1255
H	388	418	476	535	589	645	699	756	819	931	1081	1166	1266	1381
K	210	240	295	355	410	470	525	585	650	770	840	960	1050	1170
n×φL	8×φ18	8×φ22	12×φ22	12×φ26	12×φ26	16×φ26	16×φ30	20×φ30	20×φ33	20×φ36	24×φ36	24×φ39	28×φ39	28×φ42



Technical Data

Nominal diameter DN (mm)	50	65	80	100	125	150	200	250	300	350	400	450	500	600	700	800	900	1000
Weight(kg)	8	9	12	15	17	20	30	45	75	100	130	150	190	350	500	600	750	950
Pressure loss (kPa/q _p)	4	6	9	11	7	6	4	4	4	2	2	2	2	2	2	2	2	2
Max flow rate q _s (m ³ /h)	30	50	80	120	200	300	500	800	1200	1600	2000	2600	3200	4600	6000	8000	10000	12000
Nominal flow rate q _p (m ³ /h)	15	25	40	60	100	150	250	400	600	800	1000	1300	1600	2300	3000	4000	5000	6000
Nominal flow rate : Minimum flow rate Q _p /Q _i	250:1,100:1 or 50:1 optional																	
Channel	single or double channel optional			single、double、three or four channels optional									double、three or four channels optional					
Flow rate maximum reading(m ³)	9999999.9 m ³			99999999 m ³														
Heat maximum reading(kW·h)	99999999 kW·h			999999.99 MW·h														
Accuracy class	Class 2																	
Maximum working pressure	1.6MPa (2.5MPa, can be customized)																	

Heat(cooling) consumption calculation		Start from 0.25K, can be customized
IP grade	calculator	IP67
	Flow sensor	IP68
Temperature range		(4~130) °C
Temperature differential range		(3~60)K(2~110) K ,can be customized)
Environmental Class		Class A(5~55)°C or class B(-25~55)°C or class C optional
Power supply		3.6V lithium battery (AC220V or DC24V, can be customized)
Battery lifetime		≥6years
Installation mode		Horizontal or vertical
Heat (cooling) carrier		Water
Temperature sensor		PT1000 (PT500、PT100 can be customized)